



SETTING UP SDIS IN THE DERWENT DATABASES ON STN

INTELLECTUAL PROPERTY SOLUTIONS

DONALD WALTER, Ph.D.
2011 JULY 28



THOMSON REUTERS

AGENDA

- INTRODUCTION
- *DERWENT WORLD PATENTS INDEX*[®] (*DWPI*SM)
 - WHAT ARE THE PARTS OF A RECORD? A REVIEW
 - WHAT PARTS OF THE RECORD CAN CHANGE AFTER THE RECORD IS CREATED?
- *DERWENT PATENT CITATION INDEX*TM (*DPCI*)
 - WHAT ARE THE PARTS OF A RECORD? A REVIEW
 - WHAT PARTS OF THE RECORD CAN CHANGE AFTER THE RECORD IS CREATED?
- SDI - STN'S CURRENT AWARENESS SERVICE
- TRACK CHANGES TO ANY OR ALL ADDITIONS TO A DWPI RECORD
- TRACK CHANGES TO ANY OR ALL ADDITIONS TO A DPCI RECORD
- CONCLUSION



ALERTS

- Keep you up to date on
 - New patents in your area
 - New patents from particular competitors
 - Changes in patent families (new family members, issuance of granted patents after pre-grant publication)
- DWPI is updated ca. three working days
- Different parts of the record may be updated at different times. Which they are distinguishable by different update codes.
- Records may include any or all of the update codes
 - The latest update codes are displayed in the DWPI banner message

AGENDA

- INTRODUCTION
- *DERWENT WORLD PATENTS INDEX*[®] (*DWPI*SM)
 - WHAT ARE THE PARTS OF A RECORD? A REVIEW
 - WHAT PARTS OF THE RECORD CAN CHANGE AFTER THE RECORD IS CREATED?
- *DERWENT PATENT CITATION INDEX*TM (*DPCI*)
 - WHAT ARE THE PARTS OF A RECORD? A REVIEW
 - WHAT PARTS OF THE RECORD CAN CHANGE AFTER THE RECORD IS CREATED?
- SDI - STN'S CURRENT AWARENESS SERVICE
- TRACK CHANGES TO ANY OR ALL ADDITIONS TO A DWPI RECORD
- TRACK CHANGES TO ANY OR ALL ADDITIONS TO A DPCI RECORD
- CONCLUSION



DWPI UPDATEABLE FIELDS; BIBLIOGRAPHIC INFORMATION

AN 2006-063826 [07] WPIX <<LOGINID::20061013>>

ED 20060130

Black fields can be updated

DNC C2006-023597 [07]

TI Composition, useful for treatment of e.g. ...

**PI US 20050239778 A1 20051027 (200607)* EN 50[1]
A61K031-538 ...**

**ADT US 20050239778 A1 Provisional US 2004-578542P
20040610; US 20050239778 A1 US 2005-109094 ...**

PRAI EP 2005-2496 20050207 ...



DWPI UPDATEABLE FIELDS; PATENT FAMILY

PI US 20050239778 A1 20051027 (200607)*
EN 50[1] A61K031-538 ...

ADT US 20050239778 A1 Provisional US
2004-578542P 20040610; US 20050239778 A1
US 2005-109094 ...

PRAI EP 2005-2496 20050207 ...

- Equivalents are based on the same priority application
- They protect the same invention

BUT

- Claims may be different (e.g. one patent may say “in the absence of air” and an equivalent may say “anoxic”)

DWPI UPDATEABLE FIELDS; PATENT FAMILY (contd.)

- Remember that a patent family may extend over several records – the “extended patent family”
- If a patent has some priorities that are in DWPI and some that are not, then a new record may be created and the members of the extended family will be cross referenced in the priority field

DWPI UPDATEABLE FIELDS; BIBLIOGRAPHIC INFORMATION

IN BOUYSSOU T; HOENKE C; KONETZKI I; ...

PA (BOEH-C) BOEHRINGER INGELHEIM INT GMBH; (BOEH-C) BOEHRINGER INGELHEIM PHARMA GMBH & CO KG

IC ICM A61K031-538 ...

IPCI A61K0045-00 [I,A]; A61P0011-00 [I,A]; ...

- If an inventor, assignee or IPC appears in an equivalent and is not already in the record, the new inventor, assignee or IPC is added to the record
 - E.g. BOEHRINGER INGELHEIM INT GMBH from the US PGP
 - BOEHRINGER INGELHEIM PHARMA GMBH & CO KG from the DE A1
- The IPCs in the record are assigned by all the patent offices in the record

DWPI FIELDS; ABSTRACTS

AB US 20050239778 A1 UPAB: 20060526

NOVELTY - A composition comprises at least one 6-hydroxy-4H-benzo(1,4)oxazin-3-one ...

TECH ORGANIC CHEMISTRY - Preferred Composition: The inhalable powder comprises at least one (I) ...

ABEX DEFINITIONS - Preferred Definitions: - n=1; - R1 and R2=H, F, Cl, methyl or methoxy; and - ...

DWPI UPDATEABLE FIELDS; MEMBER LEVEL DATA

Member (0001)

PI DE 102004019540 A1 20051110 (2006)
TIDE Neue Arzneimittelkombinationen zu:
Atemwegserkrankungen
IN SCHNAPP A ...
PA (BOEH-C) BOEHRINGER INGELHEIM PHA
ADT DE 102004019540 A1 DE 2004-102004
APTS 2004DE-100019540
IC ICM A61K031-538 ...
IIC IICM A61K031-538 ...
ABDE Die vorliegende Erfindung betrifft
die ...
CLMDE Arzneimittelkombinationen, die n
Verbindungen ...

Member (0002)

...

- Added when equivalents are added.
 - More information from some countries



Summary Table of First Level Data in DWPI Member Level Record

Patent Authority	Type: Kind Codes	Original Title	Original Abstracts	Main Claim	All Claims	Inventor Full Name and Address	Original Assignee Name and Address	Legal Rep/Agent Name and Address
WIPO/PCT	Applications: A1,2,3,4,8,9	1978+	1978+			1999+	1978+	1999+
European Patent Office	Applications and Granted Patents: A1, A2, B1, B2	1978+ (English, French, German)	1978+ (English); 2000+ (French, German)	1984+ (B1/B2 only); 1991+ (all kinds)		1978+	1978+	1978+
Australia	Applications: A1,4,8; B1,2	2004+						2009+
Germany	Applications, Granted Patents & Utility Models: A1, B1, B2, B3, B4, C1, C2, U1	1968+	2000+	1968+		1968+	1968+	1968+
Japan	Applications, Granted Patents & Utility Models: A, B, U	1975+ (A only - Machine Assisted Translation); Granted patents and Utility Models from DWPI Update 200824	DWPI Update 200824+ (Machine Assisted Translation)	DWPI Update 200824+ (Machine Assisted Translation)		1977 to 2006 (Applications - name only, no addresses); Applications, granted patents and Utility Models from 200901 (name only)	1977 to 2006 (Applications - name only, no addresses)	
United Kingdom	Granted Patents: B applications & Granted Patents: A, A1, B1, B2	2004+		1984-1997				
United States	Patents: A, A1, B1, B2	1975+	1975+	1993+		1975+	1975+	1975+
Russia	C1, C2, C9	2009+	2009+					
France	A1, A3	2009+	2009+					2009+
India	I1-4; P1-4	2009+	2009+ (I1-I4)					
China	Applications & Utility Models - A, Y	June 2007 (Human Translation)	June 2007 (Human Translation)	June 2007 (Human Translation)	CN A Jan 2007; CN Y June 2007 (Human Translation)	Applications, granted patents and Utility Models from 200901 (name only)		
Taiwan	Applications, Granted Patents and Utility Models A, B, U	2008+				Applications, granted patents and Utility Models from 200907 (name only)		
South Korea	Applications, Granted Patents and Utility Models A, B, U, Y1	2008+ (Machine Translation)	2008+ (Machine Translation)	2008+ (Machine Translation)	2008+ (Machine Translation)	Applications, granted patents and Utility Models from 200901 (name only)		

Please Note: There may be some records where the original data is not available; Dates are publication dates of the coverage, unless listed as DWPI Update Does not include details of patent classification (ECLA, IPC, US Class, JP F/I terms) as these are included for all relevant authorities in DWPI.

DWPI UPDATEABLE FIELDS; SPECIALIZED DEEP INDEXING FOR CHEMICAL (INCLUDING POLYMER) PATENTS

DC B02; B05

MC CPI: B01-B01; B01-B02; B01-C03; ...

FS CPI

PLC UPA 19940124

KS: 0036 0037 0038 0055 0058 0061 0

FG: *001* 017 034 175 195 381 541 5

These fields have been replaced by the PLE field

PLE UPA 19931220

[1.1] 017; G2131-R D01 F43 D19 D18 D14 D13 D23 D22 D11 ...

CMC UPB 20060130

DRN: 0002-U 0012-U 0067-U 0163-U 1071-U 1629-U

DCR: 104616-U 104629-U 109299-U 129577-U 6284-U 88520-U 92784-U
92790-U

M2 *01* D012 D023 E440 G013 G015 G017 G100 H1 ...

MCN: 0208-41801-K 0208-41801-M

AGENDA

- INTRODUCTION
- *DERWENT WORLD PATENTS INDEX*[®] (*DWPI*SM)
 - WHAT ARE THE PARTS OF A RECORD? A REVIEW
 - WHAT PARTS OF THE RECORD CAN CHANGE AFTER THE RECORD IS CREATED?
- *DERWENT PATENT CITATION INDEX*TM (DPCI)
 - WHAT ARE THE PARTS OF A RECORD? A REVIEW
 - WHAT PARTS OF THE RECORD CAN CHANGE AFTER THE RECORD IS CREATED?
- SDI - STN'S CURRENT AWARENESS SERVICE
- TRACK CHANGES TO ANY OR ALL ADDITIONS TO A DWPI RECORD
- TRACK CHANGES TO ANY OR ALL ADDITIONS TO A DPCI RECORD
- CONCLUSION



DPCI UPDATEABLE FIELDS; BIBLIOGRAPHIC INFORMATION

AN 2006-063826 [200607] DPCI <<LOGINID::20110722>>
TI Composition, useful for treatment of e.g. ...
IN BOUYSSOU T; HOENKE C; HOENKE C; KONETZKI I; ...
PA (BOEH-C) BOEHRINGER INGELHEIM INT GMBH; (BOEH-C) ...
CYC 109
PI US-20050239778 A1 20051027 (200607)* EN 50[1] ...
ADT US-20050239778 A1 Provisional 2004US-000578542P
20040610; US-20050239778 A1 2005US- ...
FDT AU--2005235419 A1 Based on WO--2005102349 A; EP---
--1781298 A1 Based on WO--2005102349; ...
PRAI 2005EP-000002496 20050207

- Bibliographic information updated with DWPI

DPCI UPDATEABLE FIELDS; CITATION COUNTERS

CTCS CITATION COUNTERS

PNC.D	6	Cited Patents Count (total)	CRC	1	Cited Literature Reference Count (total)
PNC.DI	0	Cited Patents Count (by inv.)	CRC.I	0	Cited Literature Reference Count (by inv.)
PNC.DX	6	Cited Patents Count (by exam.)	CRC.X	1	Cited Literature Reference Count (by exam.)
PNC.DO	0	Cited Patents Count (in opp. doc.)	CRC.O	0	Cited Literature Reference Count (in opp. doc.)
PNC.DTH	0	Cited Patents Count (third party)	CRC.TH	0	Cited Literature Reference Count (third party)
PNC.DUN	0	Cited Patents Count (undefined)	CRC.UN	0	Cited Literature Reference Count (undefined)
IAC.D	2	Cited Issuing Authority Count (total)	OSC.D	6	Cited Patent WPI Accession Number Count (total)
IAC.DI	0	Cited Issuing Authority Count (by inv.)	OSC.DX	6	Cited Patent WPI Accession Number Count (by exam.)
IAC.DX	2	Cited Issuing Authority Count (by exam.)	OSC.DI	0	Cited Patent WPI Accession Number Count (by inv.)
IAC.DO	0	Cited Issuing Authority Count (in opp. doc.)	OSC.DO	0	Cited Patent WPI Accession Number Count (in opp. doc.)
IAC.DTH	0	Cited Issuing Authority Count (third party)	OSC.DTH	0	Cited Patent WPI Accession Number Count (third party)
IAC.DUN	0	Cited Issuing Authority Count (undefined)	OSC.DUN	0	Cited Patent WPI Accession Number Count (undefined)
PNC.G	20	Citing Patents Count (total)	OSC.G	14	Citing Patent WPI Accession Number Count (total)
PNC.GI	1	Citing Patents Count (by inv.)	OSC.GX	14	Citing Patent WPI Accession Number Count (by exam.)
PNC.GX	20	Citing Patents Count (by exam.)	OSC.GI	1	Citing Patent WPI Accession Number Count (by inv.)
PNC.GO	0	Citing Patents Count (in opp. doc.)	OSC.GO	0	Citing Patent WPI Accession Number Count (in opp. doc.)
PNC.GTH	0	Citing Patents Count (third party)	OSC.GTH	0	Citing Patent WPI Accession Number Count (third party)
PNC.GUN	0	Citing Patents Count (undefined)	OSC.GUN	0	Citing Patent WPI Accession Number Count (undefined)
IAC.G	3	Citing Issuing Authority Count (total)			
IAC.GI	1	Citing Issuing Authority Count (by inv.)			
IAC.GX	3	Citing Issuing Authority Count (by exam.)			
IAC.GO	0	Citing Issuing Authority Count (in opp. doc.)			
IAC.GTH	0	Citing Issuing Authority Count (third party)			
IAC.GUN	0	Citing Issuing Authority Count (undefined)			

Updated as appropriate
with the rest of the record

DPCI UPDATEABLE FIELDS; CITED PATENTS, a.k.a. BACKWARD CITATIONS

CDP Cited Patents

Citing Publication	By	Cat	Cited Patent	Date	Accession Number
WO--2005102349 A1	E	A	DE----10246374 A1	20040415	2004-317909
	PA:		(BOEH-C) BOEHRINGER INGELHEIM PHARMA GMBH & CO KG		
	IN:		BOUYSSOU T; BUETTNER F; HEINE C; KONETZKI I; PESTEL S; SCHNAPP A; SCHOLLENBERGER H; SCHROMM K		

- Updated as new equivalents (WO 2005/102349 A1) are added to the record with their citations

DPCI UPDATEABLE FIELDS; CITED LITERATURE

REN Literature Citations

Citing Publication	By	Cat	Literature Reference
EP-----1781298 A1	E		Development potential of rifalazil and other benzoxazinorifamycins. Rothstein, DM; Shalish, C; Murphy, CK; Sternlicht, A; Campbell, LA; EXPERT OPINION ON INVESTIGATIONAL DRUGS 15(6): 603-623 JUN 2006

- Updated as new equivalents, with their citations, are added to the record

DPCI UPDATEABLE FIELDS; CITING PATENTS a.k.a. FORWARD CITATIONS

CGP Citing Patents

Cited Publication	By	Cat	Citing Patent	Date	Accession Number
US-20050239778 A1	E	X	EP-----1905440 A1	20080402	2008-F85805
			PA: (BOEH-C) BOEHRINGER INGELHEIM INT GMBH; (BOEH-C) BOEHRINGER INGELHEIM PHARMA GMBH & CO KG		
			IN: LEINER S; SCHMIDT F		
	E		US-----7220742 B2	20070522	2006-316309
			PA: (BOEH-C) BOEHRINGER INGELHEIM INT GMBH; (BOEH-C) BOEHRINGER INGELHEIM PHARMA GMBH & CO KG		
			IN: KONETZKI I; KONETZKI, Ingo; LUSTENBERGER P; LUSTENBERGER, Philipp; SIEGER P; SIEGER, Peter		

- Added when citing patent EP 1 905 440 A1 was added to the system

AGENDA

- INTRODUCTION
- *DERWENT WORLD PATENTS INDEX*[®] (*DWPI*SM)
 - WHAT ARE THE PARTS OF A RECORD? A REVIEW
 - WHAT PARTS OF THE RECORD CAN CHANGE AFTER THE RECORD IS CREATED?
- *DERWENT PATENT CITATION INDEX*TM (*DPCI*)
 - WHAT ARE THE PARTS OF A RECORD? A REVIEW
 - WHAT PARTS OF THE RECORD CAN CHANGE AFTER THE RECORD IS CREATED?
- SDI - STN'S CURRENT AWARENESS SERVICE
- TRACK CHANGES TO ANY OR ALL ADDITIONS TO A DWPI RECORD
- TRACK CHANGES TO ANY OR ALL ADDITIONS TO A DPCI RECORD
- CONCLUSION



SDI - STN'S CURRENT AWARENESS SERVICE

- The STN SDI service is a current awareness service that helps you track information on a particular topic, track a patent family's growth or track a company's patent activity.
- Each time the database is updated (weekly or monthly frequencies are also available), your search is run automatically
- Results can be delivered to you, or to a recipient whose address you specify, via email or post.
- Once established, your SDI will run automatically and deliver the latest information that matches your search criteria.

STN[®]

Setting up Alerts in the Derwent databases on STN

STN

STN is available through FIZ Karlsruhe, Germany
and Chemical Abstracts Service, U.S.A.

Agenda

- DWPI record build/various updates
- Introduction to current awareness searches
- **Setting up and editing an automatic SDI**
 - Using SDI command
 - Using SDI Discover! Wizard
- **Multifile patent family & citation SDI**

HELP UPDATE gives details about individual database features

- Update frequencies
 - e.g. WPINDEX every 3-4 days
- Run frequency options (automatic SDIs)
 - e.g. WPINDEX every update, weekly, monthly
- Update codes

HELP UPDATE in WPINDEX

=> FILE WPINDEX

FILE 'WPINDEX' ENTERED AT 17:21:43 ON 29 JUN 2011
COPYRIGHT (C) 2011 THOMSON REUTERS

FILE LAST UPDATED: 24 JUN 2011 <20110624/UP>
MOST RECENT UPDATE: 201140 <201140/DW>
DERWENT WORLD PATENTS INDEX, COVERS 1963 TO DATE

=> HELP UPDATE

Update searching (also called current-awareness or SDI searching) can be done manually or automatically in the WPINDEX file.

There are various possibilities to do manual searches of this type. Use the **/UP** field for searching all records which were updated. Use the **/ED** field for searching all new records (i.e. basics), the **/UPP** field for all records which are new (basics) or to which family information (equivalents) has been added, the **/UPEQ** field for all records to which family information (equivalents) has been added, the **/UPAB** field for all records with new abstracts (basic or equivalent), the **/UPIC** field for all IPC reclassified documents, the **/UPPA** field for all records with updated patent assignee information, the **/UPGI** field for all records with an updated graphical image, the **/UPPR** field for all records with updated priority information, and the **/UPTI** field for all records with an updated Thomson Reuters (Professional) UK Ltd. value-added title.

HELP UPDATE in WPINDEX

In addition use the /UPA field for searching all records where the polymer indexing has been updated or the /UPB field for searching all records where the chemical coding has been updated.

The following update codes are additionally available at the Member Patent Level: /UPAA (Update Date Author Abstract), /UPAT (Update Date Author Title), /UPCL (Update Date Claims), /UPIO (Update Date International Patent Classification, Original) and /UPNO (Update Date USPTO Classification, Original).

Further update codes are /UPIT (Update Date Index Terms) or /UPKW (Update Keyword Indexing), and from the DCR segment /UPCR (Update Date Chemistry Resource) and /UPWX (Update Date DWPI Cross Reference).

An entry in /UPCR is created when new compounds enter the Chemistry Resource Segment. An entry in /UPWX is created when DCR compounds are cited in bibliographic records. UPWX is used in SDIs in the Chemistry Resource segment.

HELP UPDATE in WPINDEX

To request an automatic update search, enter 'SDI' at an arrow prompt (=>).

You will be prompted for all additional information needed for the request, also for the update code (field) to be used for the SDI request. The same options given for manual update searching apply for the SDI requests.

The L# used in the SDI search profile can be generated from any SEARCH, ACTIVATE, or QUERY command.

HELP UPDATE in WPINDEX

The SDI setup allows so-called "linked" SDIs for certain data, where a hit is only generated if the query terms are in the portion of WPINDEX that has been updated. In a "linked" SDI, the query needs to be linked by (p)-proximity to update code/last, which represents the date of the most recent update, e.g.:

```
=> que L10 (p) upp/last
```

When setting up the SDI, specify UP or subsections as the SDI update code, and switch the HIS DUP REM option off (the system asks for the elimination of previously seen answers, enter 'no').

The WPINDEX file is updated every 3-4 days with about 9,000 new records (basic patents), about 12,000 equivalents, polymer and chemical coding, and about 8,000 images (technical drawings and chemical drawings). Automatic SDIs are run on every update, (1-2 updates per week), weekly or monthly. Every update is the default. The default print format is STD.

Agenda

- DWPI record build/various updates
- Introduction to current awareness searches
- **Setting up and editing an automatic SDI**
 - Using SDI command
 - Using SDI Discover! Wizard
- Multifile patent family & citation SDI

Example: Automatic SDI

Search Question: Set up an automatic SDI on powered parachutes using keywords and IPCs and ECLAs.

Setting up an automatic SDI using the SDI command

```
=> FILE WPINDEX
```

```
FILE 'WPINDEX' ENTERED AT 14:06:56 ON 07 JUL 2011  
COPYRIGHT (C) 2011 THOMSON REUTERS
```

```
FILE LAST UPDATED:           5 JUL 2011   <20110705/UP>  
MOST RECENT UPDATE:         201142       <201142/DW>  
DERWENT WORLD PATENTS INDEX, COVERS 1963 TO DATE
```

```
>>> Now containing more than 1.7 million chemical structures in DCR <<<
```

```
. . .
```

```
=> S POWER? PARACHUTE?
```

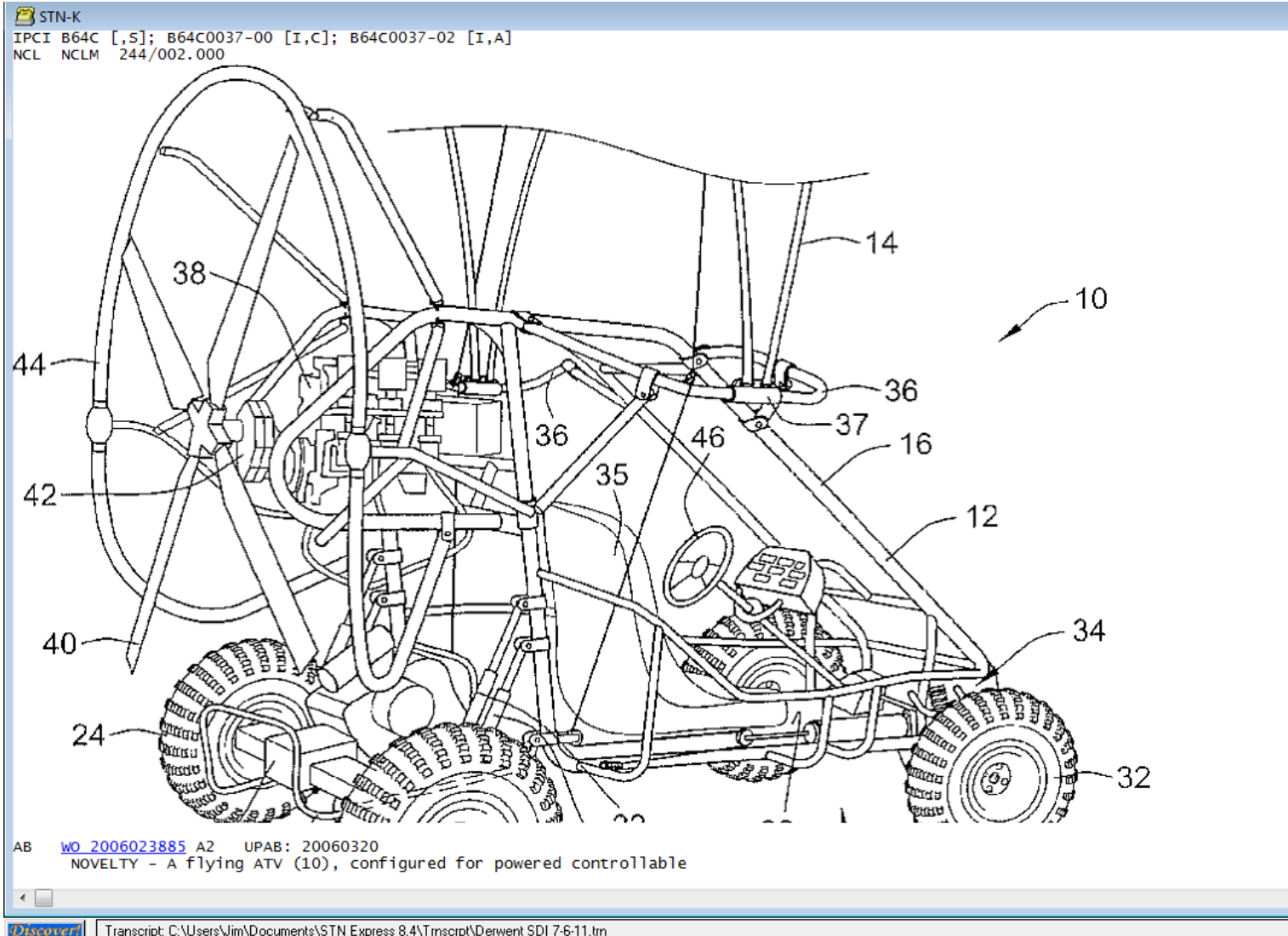
```
1754195 POWER?
```

```
3753 PARACHUTE?
```

```
L1          15 POWER? PARACHUTE?  
              (POWER? (W) PARACHUTE?)
```

```
=> D ALLG.H 1-15
```

SDI example



SDI example

STN-K
EPC B60F0005-02; B62K0013-00; B64C0031-036; B64C0037-00
NCL NCLM 244/002.000
NCLS 244/219.000

The drawing shows a motorcycle (12) with a parafoil (34) attached to its frame (26). The parafoil is secured to the motorcycle frame via a flight component attachment and safety structure (26). The motorcycle frame includes a front wheel (16), a rear wheel (18), and a seat (26). The parafoil (34) is a large, multi-celled canopy structure. The drawing is labeled with various reference numerals: 10 (motorcycle), 12 (motorcycle frame), 16 (front wheel), 18 (rear wheel), 26 (flight component attachment and safety structure), 32 (parafoil canopy), 33 (parafoil canopy), 34 (parafoil), 35 (parafoil canopy), 38 (motorcycle frame), 50 (parafoil canopy), 58 (parafoil canopy), 60 (motorcycle frame), 62 (motorcycle frame), 70 (motorcycle frame), 72 (motorcycle frame), 74 (motorcycle frame), 75 (motorcycle frame), 77 (motorcycle frame).

AB [US 6877690](#) B1 UPAB: 20051221
NOVELTY - A flight component attachment and safety structure (26) is attached to the frame of a motorcycle (12). A parafoil (34) is secured to

Transcript: C:\Users\jim\Documents\STN Express 8.4\Transcript\Derwent SDI 7-6-11.tn

SDI example

STN-K

AB [WO 2003049959](#) A2 UPAB: 20050706
NOVELTY - The multi-modal vehicle (10) includes a lightweight ground-based vehicle (20) usable on land and/or water with an attached high capacity airfoil parachute (30) to allow high altitude deployment and a propeller (26) for powered flight. The risers to the parachute may be adjusted via a riser adjustment mechanism to change the trim of the parachute for **powered parachute** flight rather than free fall flight. Fixed armaments (24) are provided on the top of the vehicle.
DETAILED DESCRIPTION - An INDEPENDENT CLAIM is included for a method of operating the above multi-modal vehicle.
USE - All-terrain, fast attack military vehicle, e.g. for deployment of personnel, equipment, armaments, supplies and materials to desired locations.
ADVANTAGE - Vehicle can be rapidly deployed from an aircraft at high altitudes. Military vehicle can also take off and land from the ground so that it can be rapidly re-deployed.
DESCRIPTION OF DRAWINGS - The drawing shows a side view of the multi-modal vehicle.
military vehicle (10)
lightweight vehicle (20)
wheels (21)
fixed armaments (24)
propeller (26)
parachute (30)
rigging harness (31)
drogue parachute (33)

K

Discover | Transcript: C:\Users\Jim\Documents\STN Express 8.4\Transcript\Derwent SDI 7-6-11.trn

Setting up an automatic SDI using the SDI command (cont.)

Using the IPC thesaurus function available in DWPI on STN.

=> E B64C0037-00+NT/IPC

```
E1          301    -->    B64C0037-00/IPC
                    Convertible aircraft (vehicles capable of travelling in
                    or on different media B60F)
                    CORE
                    VALID FROM 19680901 TO PRESENT    ( IPC EDITION: 1-8 )
E2          138    NT1    B64C0037-02/IPC
                    . Flying units formed by separate aircraft (towing,
                    air-refuelling, or aircraft-carrying aircraft B64D)
                    ADVANCED
                    VALID FROM 19680901 TO PRESENT    ( IPC EDITION: 1-8 )
*****      END      *****
```

=> S L1 OR (B64C0037-00+NT/IPC,EPC AND PARACHUTE?)

```
          345 B64C0037-00+NT/IPC          (2 TERMS)
          209 B64C0037-00+NT/EPC          (2 TERMS)
          3756 PARACHUTE?
L2          31 L1 OR (B64C0037-00+NT/IPC,EPC AND PARACHUTE?)
```

=> S L2 NOT L1

```
L3          16 L2 NOT L1
```

Setting up an automatic SDI using the SDI command (cont.)

=> D TI 1-16

. . .

L3 ANSWER 8 OF 16 WPINDEX COPYRIGHT 2011 THOMSON REUTERS on STN
TI Flying apparatus, comprises vehicle body, vehicle frame, ring-shaped wings, propellers, power unit, hydrogen gas bag on vehicle top, lifting propellers and parachute

. . .

L3 ANSWER 12 OF 16 WPINDEX COPYRIGHT 2011 THOMSON REUTERS on STN
TI Leisure and sports device for aerial use - Combines parachute canopy with balloon and hang-glider wing for grater safety

L3 ANSWER 13 OF 16 WPINDEX COPYRIGHT 2011 THOMSON REUTERS on STN
TI Motorcycle conversion unit to make ultra-light aircraft - comprises cage with parachute-operable wing and airscrew

L3 ANSWER 14 OF 16 WPINDEX COPYRIGHT 2011 THOMSON REUTERS on STN
TI Kit for converting motorcycle to airborne vehicle - has glider parachute and counter-rotating propellers operated via rollers from motorcycle rear wheel

L3 ANSWER 15 OF 16 WPINDEX COPYRIGHT 2011 THOMSON REUTERS on STN
TI Self propelled parachute glider assembly - includes compact airscrew drive in shoulder pack

Setting up an automatic SDI using the SDI command (cont.)

```
=> SDI
ENTER QUERY L# FOR SDI REQUEST OR (END):L2
ENTER UPDATE FIELD CODE (UP), ED, UPP, UPAB, UPCR, EDCR, UPWX, UPB, UPKW, UPA,
UPTC, UPEQ OR ?:.
ENTER SDI REQUEST NAME, (AA001/S), OR END:PARACHUTE/S
ENTER COST CENTER (NONE) OR NONE.
ENTER TITLE (NONE):POWERED PARACHUTES
ENTER METHOD OF DELIVERY (EMAIL), OFFLINE, OR ONLINE:EMAIL
ENTER EMAIL ID (14K):JIM.BROWN@FIZ-K.COM
JIM.BROWN@FIZ-K.COM
RECEIVE DELIVERY NOTIFICATION? (Y)/N:Y
ELIMINATE PREVIOUSLY SEEN ANSWERS WITH EACH SDI RUN? Y/(N):Y
ENTER PRINT FORMAT (STD) OR ?:ALLG.H
HIGHLIGHT HIT TERMS? (Y)/N:Y
ARCHIVE ANSWERS? Y/(N):N
REDISTRIBUTE ANSWERS? Y/(N):N
ENTER MAXIMUM NUMBER OF HITS TO BE PRINTED PER RUN (100):25
SORT SDI ANSWER SET (N)/Y?:N
SEND SDI WITH NO ANSWERS? (Y)/N:Y
ENTER SDI RUN FREQUENCY - WEEKLY, (EVERYUPDATE), MONTHLY, OR ?:MONTHLY
ENTER SDI EXPIRATION DATE 'YYYYMMDD' OR (NONE):.
QUERY L2 HAS BEEN SAVED AS SDI REQUEST 'PARACHUTE/S'
```

To set up an automatic SDI,
enter SDI at the prompt.

AGENDA

- INTRODUCTION
- *DERWENT WORLD PATENTS INDEX*[®] (*DWPI*SM)
 - WHAT ARE THE PARTS OF A RECORD? A REVIEW
 - WHAT PARTS OF THE RECORD CAN CHANGE AFTER THE RECORD IS CREATED?
- *DERWENT PATENT CITATION INDEX*TM (DPCI)
 - WHAT ARE THE PARTS OF A RECORD? A REVIEW
 - WHAT PARTS OF THE RECORD CAN CHANGE AFTER THE RECORD IS CREATED?
- SDI - STN'S CURRENT AWARENESS SERVICE
- TRACK CHANGES TO ANY OR ALL ADDITIONS TO A DWPI RECORD
- TRACK CHANGES TO ANY OR ALL ADDITIONS TO A DPCI RECORD
- CONCLUSION



SOME DWPI INVENTION LEVEL UPDATE CODES

- Entry Date or Basic Update (/ED)
 - All **new basics** added to DWPI are given an update code to indicate the **date they were added to the file**. Use this field code to restrict a search to the most recent references of new inventions only.
- Basic and Equivalents Update (/UPP)
 - **All family members** (Basic and equivalents) are given an update code to indicate the **date they were added to the file**.
- General Invention Level Update Date (/UP)
 - **New** record is created or an existing one is **updated at the Invention Level**

DWPI; SOME OTHER INVENTION LEVEL UPDATE CODES

- Patent Assignee Update (/UPPA)
- Priority Information Update (/UPPR)

DWPI; MEMBER LEVEL UPDATE CODES

- Update Date Author Abstract (/UPAA)
 - Whenever an author abstract is added at the Member Patent level.
- Update Date Author Title (/UPAT)
 - Whenever an author title is added at the Member Patent level.
- Update Date Claims (/UPCL)
 - Whenever a claims field is added at the Member Patent level.
- Update Date International Patent Classification, Original (/UPIO)
 - Upon the addition of Original IPCs at the Member Patent level.
- Update Date USPTO Classification, Original (/UPNO)
 - Upon the addition of Original USPTO Classifications at the Member Patent level.
- All Changes Update (/UPOA)
 - The /UPOA field is generated if any part of the Invention Level or Member Patent Level is updated.

AGENDA

- INTRODUCTION
- *DERWENT WORLD PATENTS INDEX*[®] (*DWPI*SM)
 - WHAT ARE THE PARTS OF A RECORD? A REVIEW
 - WHAT PARTS OF THE RECORD CAN CHANGE AFTER THE RECORD IS CREATED?
- *DERWENT PATENT CITATION INDEX*TM (DPCI)
 - WHAT ARE THE PARTS OF A RECORD? A REVIEW
 - WHAT PARTS OF THE RECORD CAN CHANGE AFTER THE RECORD IS CREATED?
- SDI - STN'S CURRENT AWARENESS SERVICE
- TRACK CHANGES TO ANY OR ALL ADDITIONS TO A DWPI RECORD
- TRACK CHANGES TO ANY OR ALL ADDITIONS TO A DPCI RECORD
- CONCLUSION



DPCI UPDATE CODES

- Entry Date (ED)
 - When a new document enters the database it receives a ‘time stamp’, in this case the entry date.
- Update Date (UP)
 - Whenever a document enters the database or a document is amended, an update date is created.
- Update Date, Cited Patents (UPD)
 - Whenever a patent citation is added to a family member of the document, an update date cited patents is created.
- Update Date, Citing Patents (UPG)
 - Whenever a citing patent is added to a patent family member of the document, an update date citing patents is created.

Setting up an automatic SDI using the SDI command (cont.)

=> SDI

ENTER QUERY L# FOR SDI REQUEST OR (END):L2

ENTER UPDATE FIELD CODE (UP), ED, UPP, UPAB, UPCR, EDCR, UPWX, UPB, UPKW, UPA, UPTC, UPEQ OR ? : .

ENTER SDI REQUEST NAME, (A1001/S), OR END:PARACHUTE/S

ENTER COST CENTER (NONE) OR NONE: .

ENTER TITLE (NONE):POWERED PARACHUTES

ENTER METHOD OF DELIVERY (EMAIL), OFFLINE, OR ONLINE: .

ENTER EMAIL ID (14K):JIM.BROWN@FIZ-K.COM

JIM.BROWN@FIZ-K.COM

RECEIVE DELIVERY NOTIFICATION? (Y)/N:Y

ELIMINATE PREVIOUSLY SEEN ANSWERS WITH EACH SDI REQUEST? (Y)/N: .

ENTER PRINT FORMAT (STD) OR ? :ALLG.H

HIGHLIGHT HIT TERMS? (Y)/N:Y

ARCHIVE ANSWERS? Y/(N):N

REDISTRIBUTE ANSWERS? Y/(N):N

ENTER MAXIMUM NUMBER OF HITS TO BE PRINTED PER RUN (100):25

SORT SDI ANSWER SET (N)/Y?:N

SEND SDI WITH NO ANSWERS? (Y)/N:Y

ENTER SDI RUN FREQUENCY - WEEKLY, (EVERYUPDATE), MONTHLY, OR ? :MONTHLY

ENTER SDI EXPIRATION DATE 'YYYYMMDD' OR (NONE) : .

QUERY L2 HAS BEEN SAVED AS SDI REQUEST 'PARACHUTE/S'

The system will ask a series of questions. The default answers are in parantheses (). To accept the default answer, simply type in a period. Otherwise, use one of the other options available.

Setting up an automatic SDI using the SDI command (cont.)

=> SDI

ENTER QUERY L# FOR SDI REQUEST OR (END):L2

ENTER UPDATE FIELD CODE (UP), ED, UPP, UPAB, UPCR, EDCR, UPWX, UPB, UPKW, UPA, UPTC, UPEQ OR ? : .

ENTER SDI REQUEST NAME, (AA001/S), OR END:PARACHUTE/S

ENTER COST CENTER (NONE) OR NONE: .

ENTER TITLE (NONE):POWERED PARACHUTES

ENTER METHOD OF DELIVERY (EMAIL), OFFLINE, OR ONLINE

ENTER EMAIL ID (14K):JIM.BROWN@FIZ-K.COM

JIM.BROWN@FIZ-K.COM

RECEIVE DELIVERY NOTIFICATION? (Y)/N:Y

ELIMINATE PREVIOUSLY SEEN ANSWERS WITH EACH SDI RUN? Y/(N):Y

ENTER PRINT FORMAT (STD) OR ? :ALLG.H

HIGHLIGHT HIT TERMS? (Y)/N:Y

ARCHIVE ANSWERS? Y/(N):N

REDISTRIBUTE ANSWERS? Y/(N):N

ENTER MAXIMUM NUMBER OF HITS TO BE PRINTED PER RUN (100):25

SORT SDI ANSWER SET (N)/Y?:N

SEND SDI WITH NO ANSWERS? (Y)/N:Y

ENTER SDI RUN FREQUENCY - WEEKLY, (EVERYUPDATE), MONTHLY, OR ? :MONTHLY

ENTER SDI EXPIRATION DATE 'YYYYMMDD' OR (NONE) : .

QUERY L2 HAS BEEN SAVED AS SDI REQUEST 'PARACHUTE/S'

In this example, a record will only be seen once.

Automatic SDI email notification

STN Results: POWERED PARACHUTES

14K@stnk.fiz-karlsruhe.de

Sent: Sat 7/23/2011 5:13 AM

To: Brown, Jim

Your STN results are just a click away. STN brings you more electronic delivery options than ever. Delivering sci-tech information as you like it, STN is proud to be your choice for the most current and timely information available.

Click on a link below to retrieve your results:

Title: **POWERED PARACHUTES**

Reference Number: **AJ00106K**

Number of Answers: **1**

File Name: **WPINDEX**

SDI Name: **PARACHUTE/S**

SDI Run Number: **046**

SDI Run Date: **JUL 22, 2011**

1. [RTE](#) (Rich Text Format)
2. [PDF](#) (Adobe Portable Document Format)
3. [Self-extracting](#) or [Zipped](#) HTML (Hypertext Markup Language)
4. [Plain Text](#) (ASCII)

All formats except Plain Text include images.

Links will expire 90 days from the date this message was sent. Be sure to save your results.

If you have any questions regarding these options or require assistance retrieving your results, please contact the [Help Desk](#).

STN[®] - *Your Connection to Science and Technology*

Automatic SDI email notification

STN Results: POWERED PARACHUTES

14K@stnk.fiz-karlsruhe.de

Sent: Sat 7/23/2011 5:13 AM

To: Brown, Jim

Your STN results are just a click away. STN brings you more electronic delivery options than ever. Delivering sci-tech information as you like it, STN is proud to be your choice for the most current and timely information available.

Click on a link below to retrieve your results:

Title: **POWERED PARACHUTES**

Reference Number: **AJ00106K**

Number of Answers: 1

File Name: **WPINDEX**

SDI Name: **PARACHUTE/S**

SDI Run Number: **046**

SDI Run Date: **JUL 22, 2011**

- 1 **RTE** (Rich Text Format)
2. [PDF](#) (Adobe Portable Document Format)
3. [Self-extracting](#) or [Zipped](#) HTML (Hypertext Markup Language)
4. [Plain Text](#) (ASCII)

In this example, the RTF option was chosen.

All formats except Plain Text include images.

Links will expire 90 days from the date this message was sent. Be sure to save your results.

If you have any questions regarding these options or require assistance retrieving your results, please contact the [Help Desk](#).

STN[®] - *Your Connection to Science and Technology*

SDI retrieval

STN Results: POWERED PARACHUTES

AJ00106K 23 JUL 2011 11:07:24

SDI REQUEST 'PARACHUTE/S'
POWERED PARACHUTES
RUN # 046 - JUL 22, 2011

1 ANSWERS PRINTED IN FORMAT 'ALLG.H'
IN FILE 'WPINDEX'
USING QUERY:

L1 QUE POWER? PARACHUTE?
L2 QUE L1 OR (B64C0037-00+NT/IPC,EPC AND PARACHUTE?)
L3 1 SEA FILE=WPINDEX L2 AND 20110720/UP
L7 1 SEA FILE=WPINDEX ANSWERS NOT PREVIOUSLY SEEN

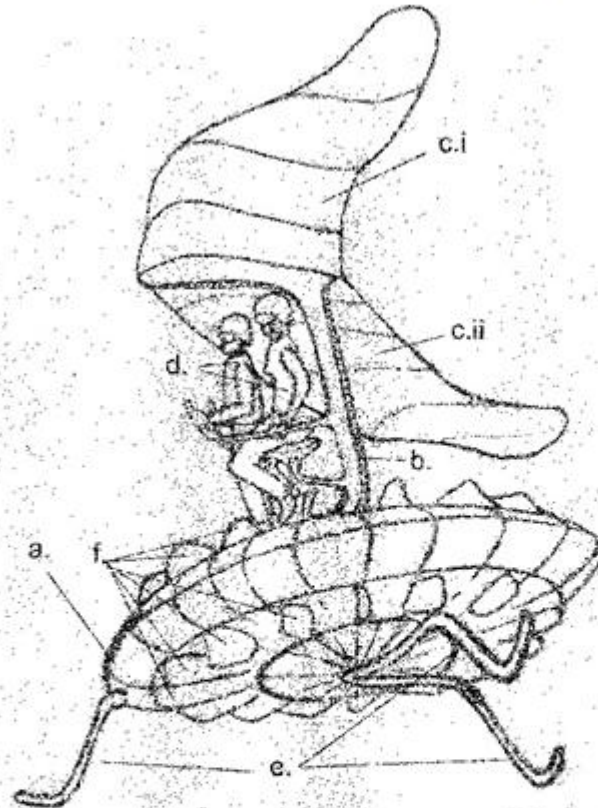
L7 ANSWER 1 OF 1 WPINDEX COPYRIGHT 2011 THOMSON REUTERS on STN

[Full Text](#)

AN 2011-H81501 [201146] WPINDEX
TI Vertical take-off and landing (VToL) air-vehicle such as ornithopter has descent-vanes that are connected to fuselage at location where vertical and horizontal separation between rotor and descent-vanes are provided
DC Q25
IN LEAVER G
PA (LEAV-I) LEAVER G
CYC 1
PI US 20110163198 A1 20110707 (201146)* EN 25[20]
ADT US 20110163198 A1 US 2010-655546 20100104
PRAI US 2010-655546 20100104
IPCI B64C0011-00 [I,A]; B64C0027-08 [I,A]; B64C0029-00 [I,A]
NCL NCLM 244/012.100

SDI retrieval

STN Results: POWERED PARACHUTES



PREFERRED EMBODIMENT IN POWERED FLIGHT

AB US 20110163198 A1 UFAB: 20110720

NOVELTY - The air-vehicle has a lifting rotor disc (a) that is provided for lifting and propulsion, and communicated at a centre of a fuselage (b). A platform is attached within the fuselage, to which a pilot (d) is secured in such a manner to permit a movement of pilot for weight-shifting or mass-balancing of the vehicle to ensure stability and control in flight. The descent-vanes (c.i, c.ii) are connected to the fuselage at a location where the vertical and horizontal separation between rotor and descent-vanes are provided, so as to produce a tandem biplane aero-form.

Review existing SDIs

=> D SAVED/S

NAME	CREATED	NOTES/TITLE
-----	-----	-----
PARACHUTE/S	07 JUL 2011	SDI REQUEST FOR FILE WPINDEX POWERED PARACHUTES

To see a complete list of SDIs, use the command **D SAVED/S**.

=> D PARACHUTE/S

NAME	CREATED	NOTES/TITLE
-----	-----	-----
PARACHUTE/S	07 JUL 2011	SDI REQUEST FOR FILE WPINDEX POWERED PARACHUTES
COST CENTER		NONE
UPDATE QUALIFIER		UP
METHOD OF DELIVERY		EMAIL
EMAIL ID(S)		JIM.BROWN@FIZ-
NOTIFICATION		YES
PRINT FORMAT		ALLG.H
MAXIMUM NUMBER OF HITS TO BE PRINTED		25
HIGHLIGHTING		YES
DUPLICATE ELIMINATION		YES
PRINT FILE BACKGROUND		NO
SEND SDI WITH NO ANSWERS		YES
SDI RUN FREQUENCY		MONTHLY
DISPLAY QUERY WITH RESULTS		YES

To see the particulars for a specific SDIs, use the command **D SDIName/S**. In this example, the specific SDI name is PARACHUTE.

Editing an existing SDI

=> SDI EDIT

ENTER SDI NAME TO BE EDITED OR (END) : PARACHUTE/S

PARAMETER	SETTING
-----	-----
SDI Name and Creation Date	PARACHUTE/S
1 Title	SDI REQUEST FOR
2 Cost Center	POWERED PARACHUTE
3 Update Qualifier	NONE
4 Method of Delivery	UP
5 Email ID(s)	EMAIL
6 Maximum Hits to be Printed	JIM.BROWN@FIZ-K.COM
7 Print Format	25
8 SDI Sort Parameters	ALLG.H
. . .	NOT SPECIFIED
14 Duplicate Elimination	YES
15 Display Query with Results	YES
16 SDI Run Frequency	MONTHLY
17 SDI Expiration Date	NOT SPECIFIED
-----	-----
18 L1 QUE SPE=ON ABB=ON PLU=ON POWER? PARACHUTE?	
19 L2 QUE SPE=ON ABB=ON PLU=ON L1 OR (B64C0037-00+NT/IPC,EPC AND PARACHUTE?)	

To edit an existing SDI, use the command SDI EDIT. Then select the specific SDI and finally the parameter you wish to edit.

ENTER LINE NUMBER(S) FOR CHANGE, END, OR (?) : 16

ENTER SDI RUN FREQUENCY - WEEKLY, (EVERYUPDATE), MONTHLY, OR ? : EVERYUPDATE

Agenda

- DWPI record build/various updates
- Introduction to current awareness searches
- **Setting up and editing an automatic SDI**
 - Using SDI command
 - Using SDI Discover! Wizard
- Multifile patent family & citation SDI

Example: Automatic SDI

Search Question: Set up an automatic SDI on all documents that cite any Gibson Guitar Corporation patents, where the Gibson basic document was published in the last five years.

Setting up an automatic SDI using the STN SDI Wizard

=> FILE DPCI

FILE 'DPCI' ENTERED AT 17:05:25 ON 12 JUL 2011

COPYRIGHT (C) 2011 THOMSON REUTERS

FILE LAST UPDATED: 5 JUL 2011 <20110705/UP>

DERWENT PATENTS CITATION INDEX, COVERS 1973 TO DATE

=> E GIBSON GUITAR/PA

E1	1	GIBSON GREETINGS INC/PA
E2	1	GIBSON GROUP LTD JOHN/PA
E3	0 -->	GIBSON GUITAR/PA
E4	68	GIBSON GUITAR CORP/PA
E5	6	GIBSON H/PA
E6	1	GIBSON H C/PA
E7	3	GIBSON H L/PA
E8	1	GIBSON H M/PA
E9	1	GIBSON H P/PA
E10	1	GIBSON H S/PA
E11	1	GIBSON H T/PA
E12	2	GIBSON H W/PA

Setting up an automatic SDI using the STN SDI Wizard (cont.)

=> S E4

L1 68 "GIBSON GUITAR CORP"/PA

=> D BIB

L1 ANSWER 1 OF 68 DPCI COPYRIGHT 2011 THOMSON REUTERS on STN

AN 2008-L30117 [200866] DPCI

TI Lockable detuning assembly for detuning tensioned strings of e.g. electric guitar, has cam assembly connected to selectably configurable lock so as to selectably position lock in either unlocked or locked configuration

IN STEINBERGER N

PA (GIBS-N) GIBSON GUITAR CORP

CYC 122

PI US 20080229900 A1 20080925 (200866)* EN 27[

WO 2008118557 A1 20081002 (200866) EN

EP 2140444 A1 20100106 (201004) EN

ADT US 20080229900 A1 Provisional US 2007-896526P

US 2007-776797 20070712; EP 2140444 A1 EP 2008-729881 20080214; WO

2008118557 A1 WO 2008-US53983 20080214; EP 2140444 A1 PCT Application WO

2008-US53983 20080214

FDT EP 2140444 A1 Based on WO 2008118557 A

PRAI US 2007-776797 20070712

US 2007-896526P 20070323

=> S L1 AND PY.B>2005

1568410 PY.B>2005

L2 11 L1 AND PY.B>2005

Notice that this company does not have a standardized PACO, so none will be used in the strategy.

Setting up an automatic SDI by using the STN Discover! Wizard

The screenshot shows the STN Online and Results application window. The main content area displays search results for 'GIBSON GUITAR CORP'. The results are organized into a list of entries (E3 to E12) and a detailed view for entry E4. The detailed view shows the following information:

```
=> S E4
L1      68 "GIBSON GUITAR CORP"/PA
=> D BIB
L1      ANSWER 1 OF 68  DPCI COPYRIGHT 2011  THOMSON REUTERS on STN
AN      2008-L30117 [200866]  DPCI  Full-text
TI      Lockable detuning assembly for detuning tensioned strings of e.g. electric
        guitar, has cam assembly connected to selectably configurable lock so as
        to selectably position lock in either unlocked or locked configuration
IN      STEINBERGER N
PA      (GIBS-N)  GIBSON GUITAR CORP
CYC     122
PI      US 20080229900  A1 20080925 (200866)* EN 27[15]
        WO 2008118557  A1 20081002 (200866) EN
        EP 2140444    A1 20100106 (201004) EN
ADT     US 20080229900  A1 Provisional US 2007-896526P 20070323; US 20080229900 A1
        US 2007-776797 20070712; EP 2140444 A1 EP 2008-729881 20080214; WO
        2008118557 A1 WO 2008-US53983 20080214; EP 2140444 A1 PCT Application WO
        2008-US53983 20080214
FDT     EP 2140444 A1 Based on WO 2008118557 A
PRAI    US 2007-776797 20070712
        US 2007-896526P 20070323

=> S L1 AND PY.B>2005
        2054927 PY.B>2005
L2      11 L1 AND PY.B>2005
=> -
```

The bottom status bar of the application shows the following information: **Discover!** (highlighted in a red box), DPCI, INS, Hold Off, Print Off, Online, and 00:05:03.

Setting up an automatic SDI by using the STN Discover! Wizard (cont.)

The screenshot shows the STN Online and Results application window. The main display area contains a list of search results for 'GIBSON GUITAR CORP' and a detailed view of a specific result. A context menu is open over the 'SDI' option, with the 'Single File SDI...' option highlighted by a red box and a red arrow pointing to the right.

STN-K

E3	0	-->	GIBSON GUITAR/PA
E4	68		GIBSON GUITAR CORP/PA
E5	6		GIBSON H/PA
E6	1		GIBSON H C/PA
E7	3		GIBSON H L/PA
E8	1		GIBSON H M/PA
E9	1		GIBSON H P/PA
E10	1		GIBSON H S/PA
E11	1		GIBSON H T/PA
E12	2		GIBSON H W/PA

=> S E4
[L1](#) 68 "GIBSON GUITAR CORP"/PA

=> D BIB

[L1](#) ANSWER 1 OF 68 DPCI COPYRIGHT 2011 THOMSON REUTERS on STN
AN 2008-L30117 [200866] DPCI [Full-text](#)
TI Lockable detuning assembly for detuning tensioned strings of e.g. electric guitar has cam assembly connected to selectably configurable lock so as to be either unlocked or locked configuration

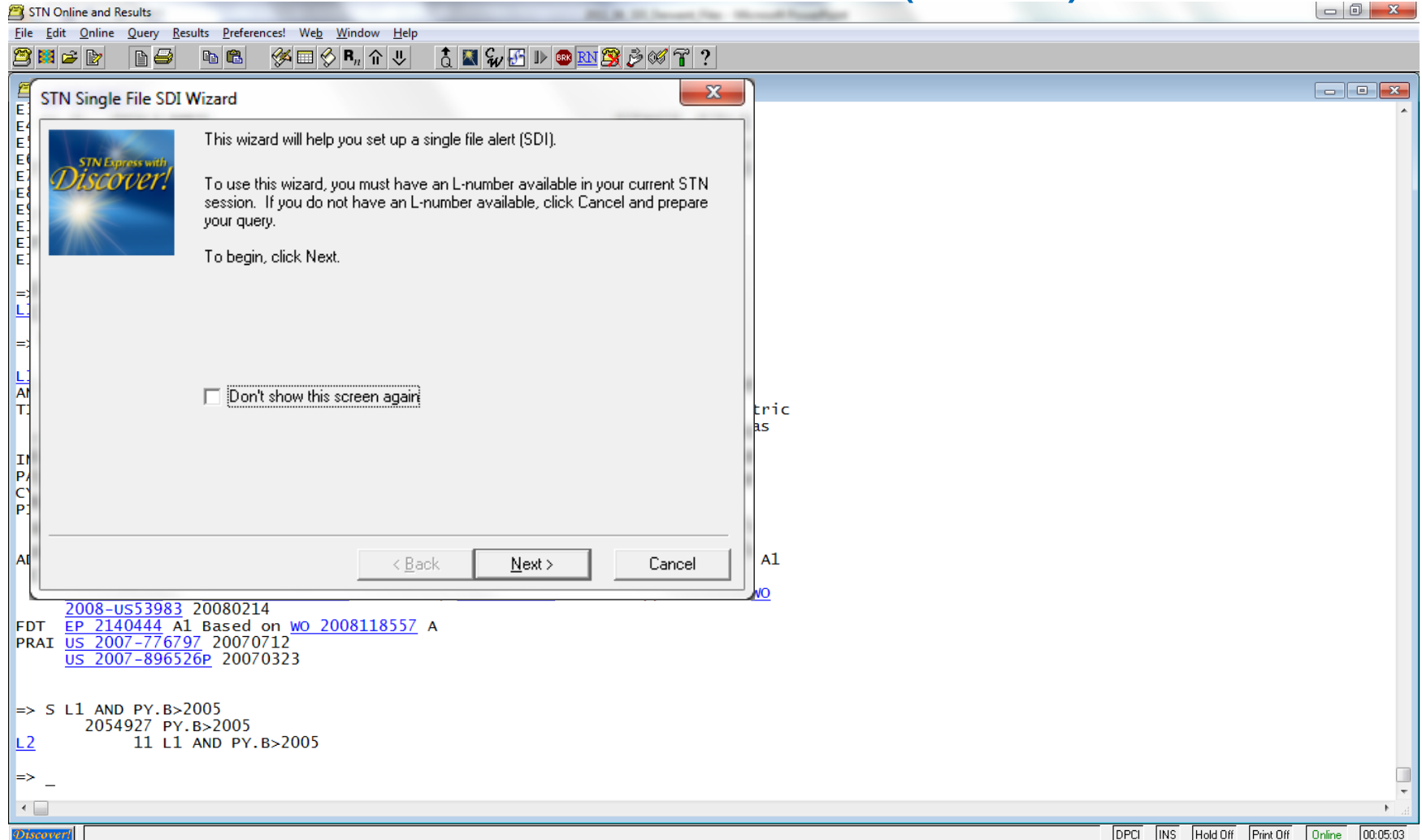
Set Loginid Parameters...
Select a Database
Search by
Upload Sequence or Structure to STN...
Display by
Analyze
Create CAS RN® and Role Report...
STN AnaVist
Evaluate with STN Viewer...
Get Related
SDI
Save
Display Session Costs Ctrl+M
Logoff Your STN Session

Create an SDI Alert
Edit an SDI Alert...
CAplus TOC...
Single File SDI...

66)* EN 27 [15]
66) EN
04) EN
2007-896526P 20070323; [us 20080229900](#) A1
4 A1 [EP 2008-729881](#) 20080214; [wo 80214](#); [EP 2140444](#) A1 PCT Application [wo 557](#) A

Discover! | DPCI | INS | Hold Off | Print Off | Online | 00:05:03


Setting up an automatic SDI by using the STN Discover! Wizard (cont.)



STN Online and Results

File Edit Online Query Results Preferences! Web Window Help

STN Single File SDI Wizard

 This wizard will help you set up a single file alert (SDI).

To use this wizard, you must have an L-number available in your current STN session. If you do not have an L-number available, click Cancel and prepare your query.

To begin, click Next.

Don't show this screen again

< Back Next > Cancel

2008-US53983 20080214
FDT EP 2140444 A1 Based on WO 2008118557 A
PRAI US 2007-776797 20070712
US 2007-896526P 20070323

=> S L1 AND PY.B>2005
2054927 PY.B>2005
L2 11 L1 AND PY.B>2005

=> _

Discover! | DPCI | INS | Hold Off | Print Off | Online | 00:05:03

Setting up an automatic SDI by using the STN Discover! Wizard (cont.)

STN Online and Results

File Edit Online Query Results Preferences! Web Window Help

STN Single File SDI Wizard

Step 1 of 3: Defining the query

Click on a query from the list below and select the SDI file.

If you cannot choose an SDI file, click Cancel, change into the appropriate file for SDI and choose this wizard again from the Discover! button.

L1	68	SEA	SPE=ON	ABB=ON	PLU=ON	"GIBSON GUITAR CORP"/PA
L2	11	SEA	SPE=ON	ABB=ON	PLU=ON	L1 AND PY.B>2005

Define in file : DPCI Define in current file : DPCI

< Back Next > Cancel

2008-US53983 20080214
FDT EP 2140444 A1 Based on WO 2008118557 A
PRAI US 2007-776797 20070712
US 2007-896526P 20070323

=> S L1 AND PY.B>2005
2054927 PY.B>2005
L2 11 L1 AND PY.B>2005

=> _

Discover! | DPCI | INS | Hold Off | Print Off | Online | 00:05:03

Setting up an automatic SDI by using the STN Discover! Wizard (cont.)

STN Online and Results

File Edit Online Query Results Preferences! Web Window Help

STN Single File SDI Wizard

Step 2 of 3: Customizing the results

Select the appropriate options to customize your alert.

Remove previously seen answers

Send notification if zero answers are found

Display hit term highlighting

Display the file's patent currency status

Archive -- Qty: NONE

Redistribute -- Qty: NONE

Display format:

IALL-----Complete Record with Full Citation Counts

< Back Next > Cancel

2008-US53983 20080214
FDT EP 2140444 A1 Based on WO 2008118557 A
PRAI US 2007-776797 20070712
US 2007-896526P 20070323

=> S L1 AND PY.B>2005
2054927 PY.B>2005
L2 11 L1 AND PY.B>2005

=> _

Discover! | DPCL | INS | Hold Off | Print Off | Online | 00:05:03

Setting up an automatic SDI by using the STN Discover! Wizard (cont.)

STN Single File SDI Wizard

Step 3 of 3: Delivery options

Plain Text E-mail E-mail with links Hard copy print

E-mail address: jim.brown@fiz-k.com

Title (optional): Gibson Guitars

Cost Center (optional):

< Back Finish Cancel

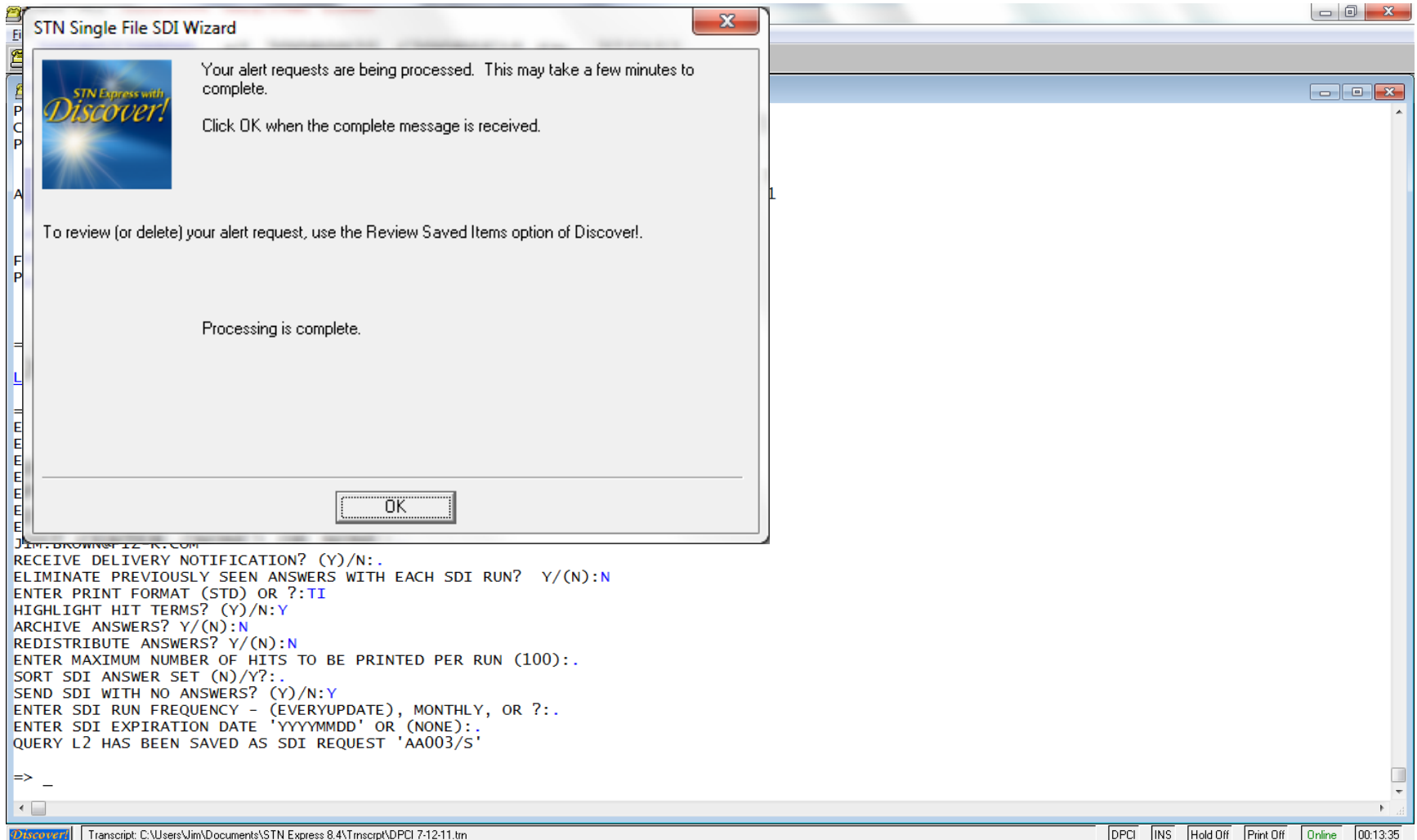
ADT EP 2140444 A1 20100106 (201004) EN
US 20080229900 A1 Provisional US 2007-896526P 20070323; us 20080229900 A1
US 2007-776797 20070712; EP 2140444 A1 EP 2008-729881 20080214; WO
2008118557 A1 WO 2008-us53983 20080214; EP 2140444 A1 PCT Application WO
2008-us53983 20080214
FDT EP 2140444 A1 Based on WO 2008118557 A
PRAI US 2007-776797 20070712
US 2007-896526P 20070323

=> S L1 AND PY.B>2005
2054927 PY.B>2005
L2 11 L1 AND PY.B>2005

=> _

Discover! | DPCI | INS | Hold Off | Print Off | Online | 00:05:03

Setting up an automatic SDI by using the STN Discover! Wizard (cont.)



The image shows a screenshot of the STN Express software interface. In the foreground, a dialog box titled "STN Single File SDI Wizard" is open. The dialog box contains the following text:

STN Express with Discover!

Your alert requests are being processed. This may take a few minutes to complete.

Click OK when the complete message is received.

To review (or delete) your alert request, use the Review Saved Items option of Discover!

Processing is complete.

OK

In the background, the STN Express main window is visible, showing a command prompt interface with the following text:

```
Jim.Brown@12-K.COM
RECEIVE DELIVERY NOTIFICATION? (Y)/N:.
ELIMINATE PREVIOUSLY SEEN ANSWERS WITH EACH SDI RUN? Y/(N):N
ENTER PRINT FORMAT (STD) OR ?:TI
HIGHLIGHT HIT TERMS? (Y)/N:Y
ARCHIVE ANSWERS? Y/(N):N
REDISTRIBUTE ANSWERS? Y/(N):N
ENTER MAXIMUM NUMBER OF HITS TO BE PRINTED PER RUN (100):.
SORT SDI ANSWER SET (N)/Y?:.
SEND SDI WITH NO ANSWERS? (Y)/N:Y
ENTER SDI RUN FREQUENCY - (EVERYUPDATE), MONTHLY, OR ?:.
ENTER SDI EXPIRATION DATE 'YYYYMMDD' OR (NONE):.
QUERY L2 HAS BEEN SAVED AS SDI REQUEST 'AA003/S'
```

The status bar at the bottom of the window shows the following information:

Discover! | Transcript: C:\Users\Jim\Documents\STN Express 8.4\Transcript\NDPCI 7-12-11.tn | DPCI | INS | Hold Off | Print Off | Online | 00:13:35

Agenda

- DWPI record build/various updates
- Introduction to current awareness searches
- Setting up and editing an automatic SDI
 - Using SDI command
 - Using SDI Discover! Wizard
- **Multifile patent family & citation SDI**

Setting up and running a multfile SDI

- Create a common multfile query in one of the files of interest, or a separate query in each file
- Open the relevant files, e.g. FILE WPINDEX DPCI, and enter command SDI MFILE
- Enter a name for the SDI and general multfile options, e.g., delivery method
- Enter a name for each single file SDI within the multfile SDI and further file-specific options
- Choose update field codes and print formats individually for each file of interest

Example: Multifile SDI

Search Question: Here are five U.S. patents assigned to General Electric. Track when additional family members are added to their patent families and-or when their citation (both cited and citing) information changes.

US20110142288

US20110129131

US20110129130

US20110129129

US20110122068

Multifile SDI

=> FILE WPINDEX

Set up search strategy in first database.

FILE 'WPINDEX' ENTERED AT 17:22:22 ON 12 JUL 2011
COPYRIGHT (C) 2011 THOMSON REUTERS

FILE LAST UPDATED: 8 JUL 2011 <20110708/UP>
MOST RECENT UPDATE: 201143 <201143/DW>
DERWENT WORLD PATENTS INDEX, COVERS 1963 TO DATE

>>> Now containing more than 1.7 million chemical structures in DCR <<<

. . .

=> S (US20110142288 OR US20110129131 OR US20110129130 OR
US20110129129 OR US20110122068)/PN

1 US20110142288/PN
1 US20110129131/PN
1 US20110129130/PN
1 US20110129129/PN
1 US20110122068/PN

L1 5 (US20110142288 OR US20110129131 OR US20110129130 OR
US20110129129 OR US20110122068)/PN

Multifile SDI (cont.)

=> D BIB 1-2

L1 ANSWER 1 OF 5 WPINDEX COPYRIGHT 2011 THOMSON REUTERS on STN
AN 2011-G83619 [201140] WPINDEX
TI Method of determining optimal candidate frame for diagnosis from sequence
of coronary angiogram frame, involves identifying frames exhibiting
minimal movement and selecting optimal candidate frames for diagnosis
DC T01
IN DEKEL S; DIAMANT I
PA (GENE-C) GENERAL ELECTRIC CO
CYC 1
PIA US 20110142288 A1 20110616 (201140)* EN 25[15] <--
ADT US 20110142288 A1 US 2009-634951 20091210
PRAI US 2009-634951 20091210

L1 ANSWER 2 OF 5 WPINDEX COPYRIGHT 2011 THOMSON REUTERS on STN
AN 2011-G17589 [201138] WPINDEX
TI Modified report of non-alphanumeric visual indicia for diagnosis of e.g.
Alzheimer's disease, has metric corresponding to distinct quantified
separation between data set of medical diagnosis results corresponding to
identified patient
DC S05; T01
IN AVINASH G B; LIN Z S; MOHAN A; SIROHEY S A
PA (GENE-C) GENERAL ELECTRIC CO
CYC 1
PIA US 20110129131 A1 20110602 (201138)* EN 68[53] <--
ADT US 20110129131 A1 US 2009-627160 20091130
PRAI US 2009-627160 20091130

Multifile SDI (cont.)

=> FILE WPINDEX DPCI

FILE 'WPINDEX' ENTERED AT 17:24:12 ON 12 JUL 2011
COPYRIGHT (C) 2011 THOMSON REUTERS

FILE 'DPCI' ENTERED AT 17:24:12 ON 12 JUL 2011
COPYRIGHT (C) 2011 THOMSON REUTERS

=> SDI MFILE

MULTIFILE SDI GENERAL PARAMETERS

ENTER MULTIFILE SDI REQUEST NAME ('AA003/S'), OR END: **GEAPPS/S**

ENTER TITLE (NONE): **GENERAL ELECTRIC APPLICATIONS**

ENTER COST CENTER (NONE) OR NONE: .

ENTER METHOD OF DELIVERY (EMAIL), OFFLINE, OR ONLINE: .

ENTER EMAIL ID (14K): **JIM.BROWN@FIZ-K.COM**

JIM.BROWN@FIZ-K.COM

RECEIVE DELIVERY NOTIFICATION? (Y)/N: **Y**

ELIMINATE PREVIOUSLY SEEN ANSWERS WITH EACH SDI RUN? Y/(N): **N**

HIGHLIGHT HIT TERMS? (Y)/N: **Y**

SEND SDI WITH NO ANSWERS? (Y)/N: **Y**

ENTER SDI EXPIRATION DATE 'YYYYMMDD' OR (NONE): .

To set up a multifile SDI, enter all databases of interest and input the command SDI MFILE.

Answer general parameter questions for multifile SDI.

Multifile SDI (cont.)

Answer questions for each database.

MULTIFILE SDI FILE SPECIFIC PARAMETERS: WPINDEX

ENTER COMPONENT SDI REQUEST NAME ('AA003/S') OR END: **GEWPINDEX/S**

ENTER QUERY L# FOR MULTIFILE SDI REQUEST OR END: **L1**

ENTER UPDATE FIELD CODE (UP), ED, UPP, UPAB, UPCR, EDCR, UPWX, UPB, UPKW,
UPA, UPTC, UPEQ OR ?: **UPP**

ENTER PRINT FORMAT (STD) OR ?: **BIB**

ARCHIVE ANSWERS? Y/(N): **N**

REDISTRIBUTE ANSWERS? Y/(N): **N**

ENTER MAXIMUM NUMBER OF HITS TO BE PRINTED PER RUN (100): **5**

SORT SDI ANSWER SET (N)/Y?: **N**

ENTER SDI RUN FREQUENCY - WEEKLY, (EVERYUPDATE), MONTHLY, OR ?: **WEEKLY**

Multifile SDI (cont.)

Answer questions for each database.

MULTIFILE SDI FILE SPECIFIC PARAMETERS: DPCI

ENTER COMPONENT SDI REQUEST NAME ('AA004/S') OR END:GEDPCI/S

ENTER QUERY L# FOR MULTIFILE SDI REQUEST OR END:L1

ENTER UPDATE FIELD CODE (UP), ED, UPD, UPG OR ?:UP

ENTER PRINT FORMAT (STD) OR ?:IALL

ARCHIVE ANSWERS? Y/(N):N

REDISTRIBUTE ANSWERS? Y/(N):N

ENTER MAXIMUM NUMBER OF HITS TO BE PRINTED PER RUN (100):5

SORT SDI ANSWER SET (N)/Y?:N

ENTER SDI RUN FREQUENCY - (EVERYUPDATE), MONTHLY, OR ?:. .

MULTIFILE SDI HAS BEEN SAVED AS SDI REQUEST 'GEAPPS/S'

QUERY L1 HAS BEEN SAVED AS SDI REQUEST 'GEWPINDEX/S' FOR FILE WPINDEX

QUERY L1 HAS BEEN SAVED AS SDI REQUEST 'GEDPCI/S' FOR FILE DPCI

Summary

- DWPI record build/various updates
- Introduction to current awareness searches
- Setting up and editing an automatic SDI
 - Using SDI command
 - Using SDI Discover! Wizard
- Multifile patent family & citation SDI

Upcoming joint eSeminar

Structure Searching Derwent World Patents Index (DWPI) Using STN Express

Date: August 16, 2011

09:00 am, Eastern Daylight Time (GMT -4, New York)

02:00 pm, British Summer Time (GMT +1, London)

03:00 pm, Central European Summer Time (GMT +2, Berlin)

11:00 am, Pacific Daylight Time (GMT -7, Los Angeles)

01:00 pm, Central Daylight Time (GMT -5, Chicago)

02:00 pm, Eastern Daylight Time (GMT -4, New York)

07:00 pm, British Summer Time (GMT +1, London)

08:00 pm, Central European Summer Time (GMT +2, Berlin)

To register for these eSeminars, please visit
<http://www.stn-international.com/e-seminars.html>

Thank you!

Jim Brown
Regional Sales Manager

jim.brown@fiz-k.com
www.stn-international.com

Donald Walter, Ph.D.
Product Specialist

don.walter@thomsonreuters.com
thomsonreuters.com